



X124

SUNDAY X124
125cc YCF® FIDDY RACER ENGINE

Kunststoff-Kit im Vintage-Stil
125-cm³-Zongshen-Fiddy-Racer-Motor mit 4-Gang- N1234,
24-mm-Nibbi®-Vergaser
750-mm-Traditionalgabel, 37 mm Durchmesser
240-mm-Bremsscheibe vorn
1,40 x 17"-Aluminiumfelge GOLD eloxiert vorn
1,60 x 14"-Aluminiumfelge GOLD eloxiert hinten Fußrasten
aus Edelstahl
Geräuschdämpfender Schalldämpfer
Luftfilterkasten
345-mm-Stoßdämpfer, 700 lbs
Erhältlich in Grün, Rot, Gelb

VINTAGE STYLE PLASTIC KIT
125cc ZONGSHEN FIDDY RACER ENGINE WITH 4 GEARS N1234
24mm NIBBI® CARBURETOR
750 mm TRADITIONAL FORK 37mm
240 mm FRONT DISC
FRONT ALUMINUM RIM 1.40 X 17"
REAR ALUMINUM RIM 1.60 X 14"
STEEL BRAKE PEDAL
INOX FOOTPEGS
NOISE KILLER MUFFLER
AIRBOX
345mm, 700 LBS SHOCK ABSORBER
AVAILABLE IN GREEN, RED, YELLOW AND WHITE



SUNDAY[®]





X124

SUNDAY X124 SE
125cc YCF® SEMI AUTOMATIC ELECTRIC
START ENGINE

Kunststoff-Kit im Vintage-Stil
125-cm³-Motor mit Elektrostarter und 4-Gang-
Halbautomatikgetriebe N1234
19-mm-NIBBI®-Vergaser
750-mm-Traditionalgabel, 37 mm Durchmesser 240-mm-
Brems Scheibe vorn
1,40 x 17"-Aluminiumfelge vorn
1,60 x 14"-Aluminiumfelge hinten Bremspedal aus Stahl
Fußrasten aus Edelstahl Geräuschdämpfender
Schalldämpfer Luftfilterkasten
345mm-Stoßdämpfer, 700 lbs (318 kg) Erhältlich in Grün,
Rot, Gelb und Weiß

VINTAGE STYLE PLASTIC KIT
125cc SEMI AUTOMATIC ELECTRIC START ENGINE
WITH 4 GEARS N1234
19mm NIBBI® CARBURETOR
750 mm TRADITIONAL FORK 37mm
240 mm FRONT DISC
FRONT ALUMINUM RIM 1.40 X 17"
REAR ALUMINUM RIM 1.60 X 14"
STEEL BRAKE PEDAL
INOX FOOTPEGS
NOISE KILLER MUFFLER
AIRBOX
345mm, 700 LBS SHOCK ABSORBER
AVAILABLE IN GREEN, RED, YELLOW AND WHITE





SUNDAY[®] X PARTS

PIÈCES SUNDAY[®] X



PLAQUE AVANT BLANCHE
WHITE FRONT PLATE

YC110-0212-14-WH



GARDE BOUE ARRIERE ROUGE/ VERT/ JAUNE/ BLANC
REAR MUDGUARD RED/ GREEN/ YELLOW/ WHITE

YC110-1402-09-COLOR



GARDE BOUE AVANT ROUGE/ VERT/ JAUNE/ BLANC
FRONT MUDGUARD RED / GREEN / YELLOW / WHITE

YC110-0302-02-COLOR



COUVRE RÉSERVOIR ROUGE/ VERT/ JAUNE/ BLANC
TANK COVER RED/ GREEN/ YELLOW/ WHITE

YC110-0719-03-COLOR



PLAQUE DROITE BLANCHE
WHITE RIGHT NUMBER PLATE

YC110-1403-02-WH



PLAQUE GAUCHE BLANCHE
WHITE LEFT NUMBER PLATE

YC110-1405-02-WH



SELLE BLEUE
BLUE SEAT

YC110-1401-22-BL



FOURCHE DIAMÈTRE 37 LONGUEUR 750mm
FORK DIAMETER 37 750mm LONG

YC110-0400-46-BK



SOUFFLET DE FOURCHE BLEU
FORK DUST COVER BLUE

YC110-0443-01-BL



DISQUE DE FREIN AVANT 240mm
FRONT 240mm BRAKE DISC

YC110-0513-09



ROUE AVANT ET ARRIÈRE OR
FRONT AND REAR WHEEL GOLD

YC110-0601-45-GO (AVANT/ FRONT) 17"
YC110-1101-36-GO (ARRIÈRE/ REAR) 14"



BOÎTE À AIR
AIR BOX

YC110-0801-12-01



SILENCIEUX
MUFFLER

YC110-13014-0401-BK



T SHIRT NOIR
BLACK T-SHIRT

TSSUNDAYXBK-TAILLE/SIZE



T SHIRT ROUGE
RED T-SHIRT

TSSUNDAYXRD-TAILLE/SIZE



SWEAT
HOODIE

SWEATSUNDAYX-TAILLE/SIZE





S124

SUNDAY FLAT TRACK S124E
125cc YCF® ENGINE

125-cm³-Motor, Elektrostarter Halbautomatische Kupplung
Komplettes 200-mm-TT-Vorderradbremssystem
2,50 x 14"-Aluminium-Vorderradfelge
3,00 x 14"-Aluminium-Hinterradfelge
130/70-14"-Flat-Track-Reifen vorn und hinten
19-mm-NIBBI®-Vergaser
Aluminium-Bremspedal
Edelstahl-Fußrasten mit Gummiauflage
Geräuschdämpfender Schalldämpfer
200-mm-Hinterradbremsscheibe
330-mm-Stoßdämpfer (1000 lbs)

125cc ELECTRIC START ENGINE WITH SEMI AUTO CLUTCH
TT 200MM FRONT DISC BRAKE ASSEMBLY
FRONT ALUMINUM RIM 2.50 X 14"
REAR ALUMINUM RIM 3.00 X 14"
FLAT TRACK FRONT AND REAR TIRE 130/70-14"
NIBBI® CARBURETOR 19 mm
ALUMINUM BRAKE PEDAL
INOX FOOTPEGS WITH LEFT RUBBER PEG COVER
NOISE KILLER MUFFLER
200mm REAR DISC BRAKE ASSEMBLY
330mm 1000 LBS SHOCK ABSORBER

SUNDAY[®]





S147

SUNDAY FLAT TRACK S147E
150cc YCF® ENGINE

150-cm³-YX-Motor, Elektrostarter
2,50 x 14 Aluminium-Vorderradnabe
3,00 x 14 Aluminium-Hinterradnabe
130/70-14" Flat-Track-Reifen vorn und hinten
24-mm-NIBBI®-Vergaser
Aluminium-Bremspedal
Edelstahl-Fußrasten mit Gummiauflage,
Geräuschdämpfender Schalldämpfer
200-mm-Hinterradbremsscheibe
330-mm-Stoßdämpfer (1000 lbs)

150cc ELECTRIC START YX ENGINE
FRONT ALUMINUM RIM 2.50 X 14"
REAR ALUMINUM RIM 3.00 X 14"
FLAT TRACK FRONT AND REAR TIRE 130/70-14"
NIBBI® CARBURETOR 24 mm
ALUMINUM BRAKE PEDAL
INOX FOOTPEGS WITH LEFT RUBBER PEG COVER
NOISE KILLER MUFFLER
200mm REAR DISC BRAKE ASSEMBLY
330mm 1000 LBS SHOCK ABSORBER

SUNDAY[®]





S187

SUNDAY FLAT TRACK S187
190cc DAYTONA® ENGINE ANIMA

190-cm³-Daytona-Anima-Motor
2,50 x 14"-Aluminiumfelgen vorn
3,00 x 14"-Aluminiumfelgen hinten
130/70-14"-Flat-Track-Reifen vorn und hinten
28-mm-Nibbi®-Vergaser
Aluminium-Bremspedal
Edelstahl-Fußrasten mit geräuschkämpfenden
Gummikappen
200-mm-Hinterradbremsscheibe
Flat-Track-Kunststoffkit
330-mm-Stoßdämpfer (1000 lbs)

ENGINE 190cc DAYTONA ANIMA
FRONT ALUMINUM RIM 2,50 X 14"
REAR ALUMINUM RIM 3,00X14"
FLAT TRACK FRONT AND REAR TIRE 130/70-14"
NIBBI® CARBURETOR 28mm
ALUMINUM BRAKE PEDAL
INOX FOOTPEGS WITH LEFT RUBBER PEG COVER
NOISE KILLER MUFFLER
200mm REAR DISC
FLAT TRACK PLASTICS
330mm 1000 LBS SHOCK ABSORBER

SUNDAY[®]

DAYTONA[®] デイトナ





SUNDAY® PARTS
PIÈCES SUNDAY®



PLAQUE AVANT BLANCHE/ ORANGE/ JAUNE/ NOIR/ ROUGE
FRONT NUMBER PLATE WHITE/ ORANGE/ YELLOW/ BLACK/ RED

YC110-0212-11-COLOR



PAIRE DE PROTECTIONS FOURCHE
FORK GUARDS

YC110-0418-02BK



COQUE ARRIÈRE BLANCHE/ ORANGE/ JAUNE/ NOIR/ ROUGE
TAIL PIECE WHITE/ ORANGE/ YELLOW/ BLACK/ RED

YC110-1402-05-COLOR



SELLE
SEAT

YC110-1401-19



COQUE DE RÉSERVOIR BLANCHE/ ORANGE/ JAUNE/ NOIR/ ROUGE
 FIBER GLASS TANK COVER WHITE/ ORANGE/ YELLOW/ BLACK/ RED

YC110-0719-02-COLOR



RÉSERVOIR PLASTIQUE 2019
 2019 PLASTIC INTERNAL TANK

YC110-0701-08



BOUCHON ET JOINT RÉSERVOIR PLASTIQUE
 GAS CAP AND SEAL

01 YC110-0702-01
 02 YC110-0720-02



BOUCHON RÉSERVOIR ALUMINIUM YCF NOIR/ BLEU/ ROUGE/ VERT/ ORANGE/ VIOLET
 YCF ALUMINIUM GAS CAP BLACK/ BLUE/ RED/ GREEN/ ORANGE/ PURPLE

BOUCHONALU-COLOR



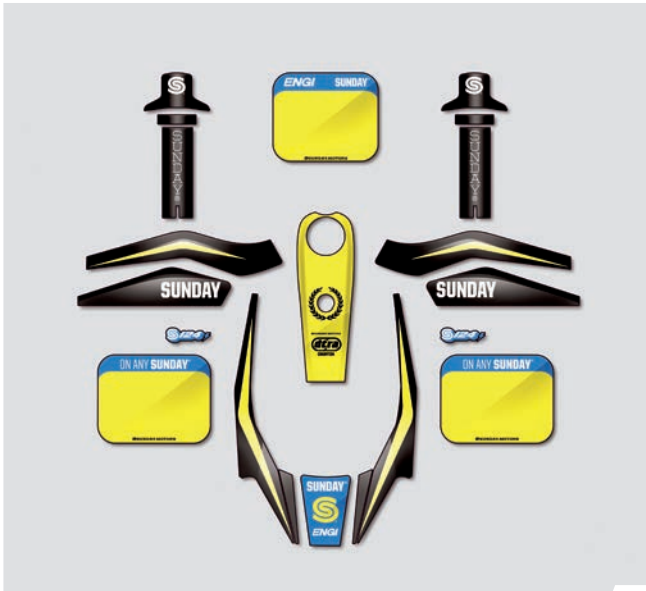
VALVE PRISE AIR NOIRE/ BLEUE/ ROUGE/ VERTE/ ORANGE/ VIOLET
 FUEL VENT VALVE BLACK/ BLUE/ RED/ GREEN/ ORANGE/ PURPLE

YC125-0704-COLOR



ROBINET ESSENCE
 FUEL PETCOCK

YC110-0703



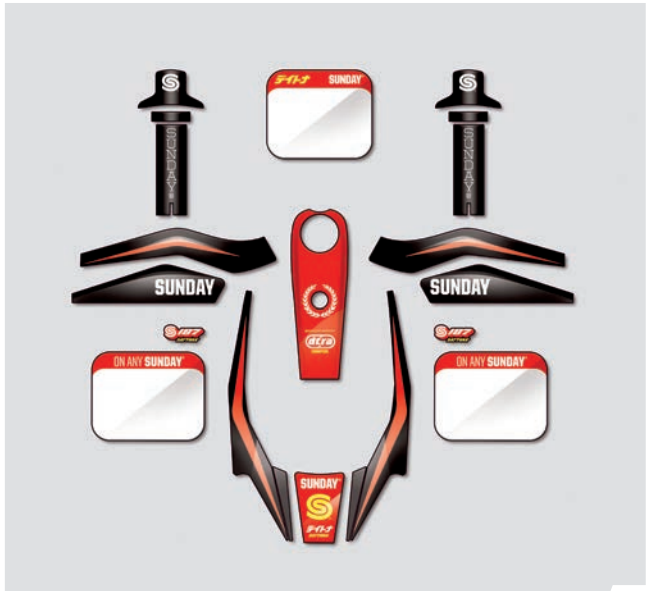
KIT DÉCO
GRAPHIC KIT

KDFT124E2026



KIT DÉCO
GRAPHIC KIT

KDFT147E2026



KIT DÉCO
GRAPHIC KIT

KDFT1872026-BK

FRONT BRAKE KIT
KIT FREIN AVANT

01



02



KIT FREIN AVANT
FRONT BRAKE KIT

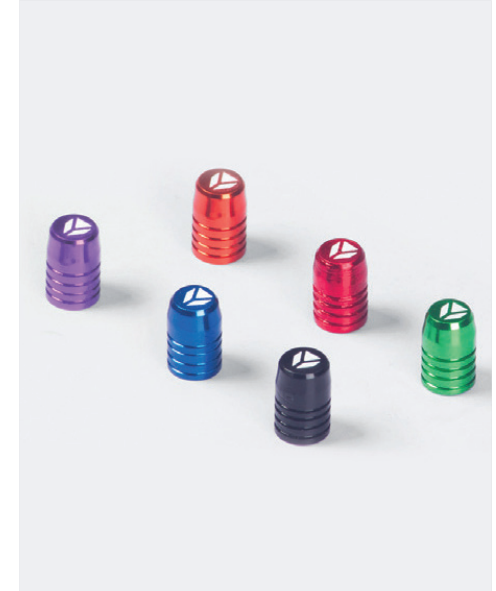
01 YC110-1115-04
02 YC110-0501-37

FRONT BRAKE KIT
KIT FREIN AVANT



KIT FREIN AVANT COMPLET TT (VENDU AVEC FOURCHE, KIT FREIN AVANT COMPLET, ROUE AVANT AVEC DISQUE)
TT FRONT BRAKE KIT (SOLD WITH FORKS, COMPLETE FRONT BRAKE KIT, FRONT WHEEL AND BRAKE DISC)

YC110-5600-01



BOUCHON DE VALVE CNC NOIR/ BLEU/ ROUGE/ VERT/ ORANGE/ VIOLET

VALVE CAP SET BLACK/ BLUE/ RED/ GREEN/ ORANGE/ PURPLE

TVC-COLOR



COUVRE RAYON (KIT DE 38 PCS AVANT 215mm, 38 PCS ARRIÈRE 190mm) ROSE/ ROUGE/ BLEU JAUNE/ VERT/ ORANGE

SPOKE SKIN SET (INCLUDES 38 FRONT PCS FRONT - 215 mm/ 38 REAR PCS - 190mm) PINK/ RED/ BLUE/ YELLOW/ GREEN/ ORANGE

SPKAS01-COLOR



PNEU 130/70/14

130/70/14 FRONT/ REAR TIRE

130/70/14



ROUE AVANT OU ARRIÈRE COMPLÈTE

COMPLETE FRONT WHEEL, COMPLETE REAR WHEEL

YC110-0601-60 (AVANT/ FRONT)
YC110-1101-60 (ARRIÈRE/ REAR)



ROUES CNC NOIR/ BLEU/ ROUGE/ VERT/ ORANGE

COMPLETE WHEEL CNC BLACK/ BLUE/ RED/ GREEN/ ORANGE

YC110-0601-6002-COLOR (AVANT/FRONT)
YC110-1101-6002-COLOR (ARRIÈRE/REAR)





GUIDON ACIER
STEEL HANDLEBAR

YC110-0101-26-BK (35°)



LEVIER D'EMBRAYAGE AVEC COCOTTE CNC
NOIR/ ROUGE/ BLEU
CLUTCH LEVER WITH CNC BRACKET BLACK/ RED/ BLUE/
GREEN

YC110-0103-06-COLOR



GUIDON MID SIZE ALUMINIUM (MOUSSE
COMPRISE) BLEU/ NOIR/ ROUGE/ ORANGE/ VERT
ALUMINUM CROSS BAR (BAR-PAD INCLUDED)
BLUE/ BLACK/ RED/ ORANGE/ GREEN

GALOW-COLOR



LEVIER D'EMBRAYAGE + COCOTTE AVEC MOLETTE
RAPIDE
CLUTCH LEVER + BRACKET WITH FAST WRENCH
ADJUSTER

YC110-0135-02



POIGNÉE DE GAZ À TIRAGE RAPIDE YCF
YCF QUICK-ACTION THROTTLE TUBE (INCLUDES GRIP)

01 YC110-0138-03

POIGNÉE DE GAZ AVEC RÉGLAGE (VIS DE BRIDAGE)
THROTTLE TUBE WITH ADJUSTMENT SCREW
(POWER CONTROL)

02 YC110-0138-04

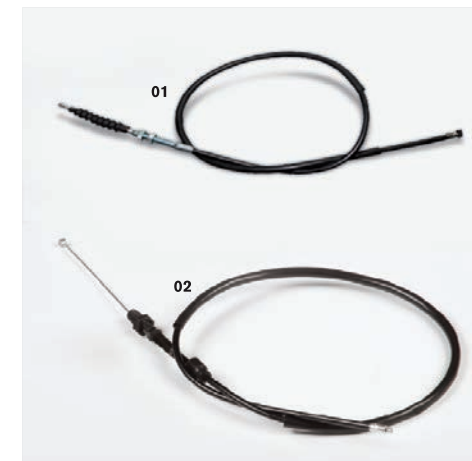
VIS M5X50 POUR RÉGLAGE DE LA POIGNÉE DE GAZ
SCREW FOR THROTTLE ADJUSTMENT, SIZE-M5X50

03 YC110-01022-06



POIGNÉES CAOUTCHOUC YCF (X2) GRIS/ ROSE/
ROUGE/ BLEUE/ BLANCHE/ JAUNE/ VERTE/ NOIRE/
ORANGE
YCF GRIP SET GREY/ PINK/ RED/ BLUE/ WHITE/
YELLOW/ GREEN/ BLACK/ ORANGE

PPC011-COLOR



CÂBLE EMBRAYAGE ET CÂBLE DE GAZ
CLUTCH CABLE & THROTTLE CABLE

01 YC110-0109-21 (S147 2018-2026)
YC110-0109-24 (S147E 2022-2026)
YC110-0109-22 (S187 2018-2026)
02 YC110-0106 (S124SE 2018-2026 - S147 2018-2026 -
S187 2018-2020)
YC110-0106-19 (S187 2021-2026 NIBBI CARBURETOR)



DONUTS (X2) NOIR/ ROUGE/ JAUNE/ ORANGE/ BLEU
GRIP DONUTS (X2) BLACK/ RED/ YELLOW/ ORANGE/BLUE

DONUTZ-02-COLOR



CHAPE MAÎTRE CYLINDRE FREIN ARRIÈRE CNC
NOIR/ BLEU/ ROUGE/ VERT/ ORANGE/ VIOLET
 CNC REAR BRAKE CLEVIS BLACK/ BLUE/ RED/ GREEN/
 ORANGE/ PURPLE

EMC01-COLOR



CAPOT MAÎTRE CYLINDRE FREIN ARRIÈRE CNC
NOIR/ BLEU/ ROUGE/ VERT/ ORANGE/ VIOLET
 REAR BRAKE RESERVOIR COVER BLACK/ BLUE/ RED/
 GREEN/ ORANGE/ PURPLE

RBRC01-COLOR



KIT FREIN ARRIÈRE
 REAR BRAKE ASSEMBLY

YC110-1212-04



PATIN BRAS OSCILLANT ET ROULETTE CHAÎNE
 SWING ARM SLIDER & CHAIN TENSIONER

01 YC110-10-025
 02 YC110-2201



COURONNE ALU, TAILLÉE DANS LA MASSE - 5 TROUS DE FIXATION - DISPONIBLE EN 41, 43, 45, 47 DENTS
NOIRE/ VERTE/ BLEUE/ ROUGE/ ORANGE - Ø INTÉRIEUR 75 - ENTRAXE COURONNE 92
 BILLET ALUMINIUM SPROCKET - 5 HOLE FIXATION - 41, 43, 45, 47 BLACK/ GREEN/ BLUE/ RED/ ORANGE

CA16R + NOMBRE DENTS & COULEUR/ NUMBER OF TEETH & COLOR



COURONNE ACIER Ø INTÉRIEUR 75 - ENTRAXE
COURONNE 92 - 5 TROUS DE FIXATION - 41, 43, 45, 47
 STEEL SPROCKET - 5 HOLE FIXATION - 41, 43, 45, 47

YC110-11-062/41 (41 DENTS/ TEETH)
 YC110-11-062/45 (45 DENTS/ TEETH)



PIGNON SORTIE BOÎTE ANTI BOUE Ø 17
 MUD RESISTANT COUNTERSHAFT SPROCKET

22711/152FMZ13 (13 DENTS/ TEETH)
 22711/152FMZ14 (14 DENTS/ TEETH)
 22711/152FMZ15 (15 DENTS/ TEETH)
 22711/152FMZ16 (16 DENTS/ TEETH)
 22711/152FMZ17 (17 DENTS/ TEETH)
 22711/152FMZ18 (18 DENTS/ TEETH)



TENDEUR CHAÎNE CNC NOIR/ BLEU/ ROUGE/ VERT/ ORANGE/ VIOLET
CNC AXLE BLOCKS BLACK/ BLUE/ RED/ GREEN/ ORANGE/ PURPLE

TC07-COLOR (Ø 15)



JEU DE REPOSE-PIED ALUMINIUM NOIR/ BLEU/ ROUGE/ VERT/ ORANGE/ VIOLET
ALUMINUM FOOT PEGS BLACK/ BLUE/ RED/ GREEN/ ORANGE/ PURPLE

RPALU-COLOR



SÉLECTEUR ALUMINIUM CNC AVEC DÉPORT POUR AXE SÉLECTEUR COURT
NOIR/ BLEU/ ROUGE/ ORANGE/ VERT/ VIOLET
ALUMINUM CNC GEAR LEVER WITH EXTENSION FOR SHORT LEVER SHAFT
BLACK/ BLUE/ RED/ ORANGE/ GREEN/ PURPLE

24700-COLOR



JEU DE ROULEMENT COLONNE DIRECTION
TAPER ROLLER BEARING FOR STEERING STEM

KRDIRECTION46



ÉCROU POUR COLONNE DE DIRECTION NOIR/ BLEU/ ROUGE/ VERT/ ORANGE/ VIOLET
STEERING STEM NUT BLACK/ BLUE/ RED/ GREEN/ ORANGE/ PURPLE

ECD-COLOR



KICK YCF ALUMINIUM 2026
YCF KICKSTARTER ALUMINIUM 2026

01 № YC140-27400-01 (13mm)
02 № YC140-27400-02 (16mm)



KICK ACIER ORIGINE
STEEL KICKSTARTER

01 43452/152FMH (Ø 16mm)

KICK ACIER RENFORCÉ
REINFORCED STEEL KICKSTARTER

02 YC140-27600SI (Ø 16mm)

RESSORT, BILLE OU VIS POUR KICK
BALL/ SPRING AND SCREW FOR KICKSTARTER

03 KVK



SÉLECTEUR ACIER REPLIABLE
FOLDABLE STEEL SHIFT LEVER

01 24700/152FMH

SÉLECTEUR ACIER REPLIABLE ET RÉGLABLE
FOLDABLE & ADJUSTABLE STEEL SHIFT LEVER

02 24700-SD



CAOUTCHOUC SUPÉRIEUR DE REPOSE PIED
RUBBER FOOT PEG COVER

YC110-3201



BÉQUILLE AMOVIBLE
REMOVABLE STAND

YC110-0904-21



KIT RÉGLAGE GUIDON ARRIÈRE POUR ENFANT
LOWER BAR MOUNT ATTACHMENT (DESIGNED FOR YOUTH RIDERS)

YC110-0237-02



JEU DE PLAQUETTES FREIN AV. & AR
SET OF BRAKE PADS FRONT & REAR

01 YC110-0501-0403 (AVANT/FRONT)
02 YC110-120104 (ARRIÈRE/REAR)



FILTRE À AIR EN MOUSSE
AIR FILTER FOAM

YC110-0836-05 (diam 45mm) (S124SE-S147E)
YC110-0836-06 (diam 50mm) (S187)



KIT RADIATEUR UNIVERSEL ADAPTABLE SUR TOUS LES MODÈLES

UNIVERSAL OIL COOLER KIT ADAPTABLE TO ALL MODELS

YC110-2306 (VENDU AVEC 6 DURITES/ SOLD WITH 6 HOSES)



FILTRE AIR
AIR FILTER

YC110-0802-04 (Ø 38) (MIKUNI® 26)
YC110-0802-05 (Ø 50) (KEIHIN® PE28)



DURITE ESSENCE BLANC/ ROUGE/ ORANGE/ BLEUE/ VERTE/ JAUNE/ ROSE

FUEL LINE WHITE/ RED/ ORANGE/ BLUE/ GREEN/ YELLOW/ PINK

DC-COLOR



CARBURATEUR NIBBI
NIBBI CARBURETOR

- 01 PE24SP-FL (S124SE/S147E)
- 02 PE28SP (S187)
- 03 NIBBI34

GICLEUR NIBBI CARBURATEUR PE GICLEUR PRINCIPAL/
MAIN JET 88/90/92/95/98/100/102/105/108/110/112/
115/118/120/122/125/128/130/132/135

- 04 LK-PE+TAILLE

GICLEUR NIBBI CARBURATEUR PWK GICLEUR PRINCIPAL/
MAIN JET 98/100/102/105/108/110/112/115/118/120/
122/125/128/130/132/135/138/140/142/145/148

- 05 LK-PWK+TAILLE

GICLEUR NIBBI CARBURATEUR PZ GICLEUR RALENTI/
SLOW JET 32/35/38

- 06 LK-FLKZ+TAILLE



KIT CARBURATEUR NIBBI 24
KIT CARBURETOR NIBBI 24

NIBBI24



SILENCIEUX RACING FACTORY
FACTORY RACING EXHAUST

- 01 YC110-13014-03BK

LIGNE D'ÉCHAPPEMENT
EXHAUST SYSTEM

- 02 YC110-1309-03

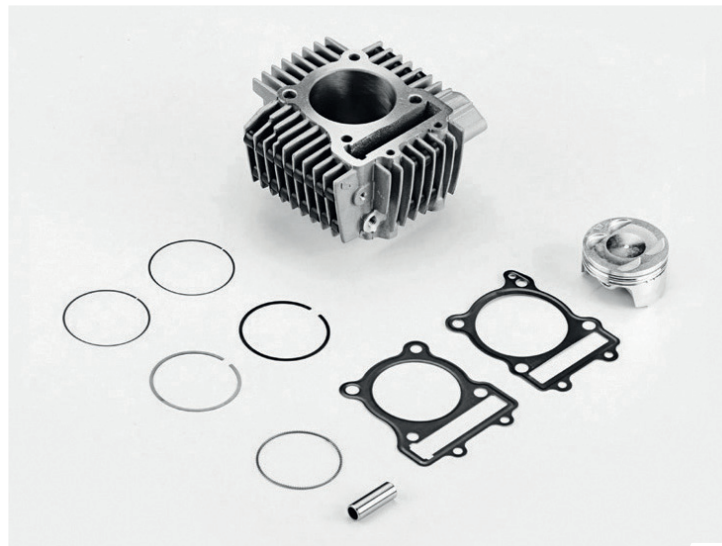
ATTACHE SILENCIEUX FACTORY
FACTORY MUFFLER CLAMP

- 03 YC110-1307-03



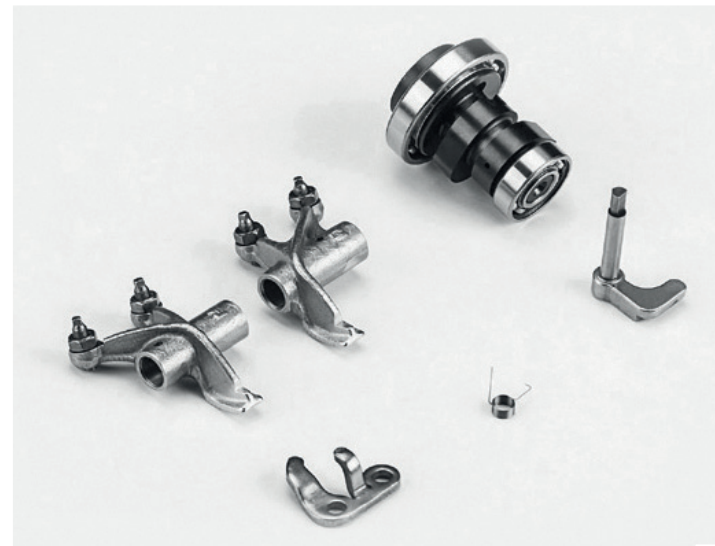
PISTON FORGÉ POUR DAYTONA ANIMA
FORGED PISTON FOR DAYTONA ANIMA

88599 (190CC)



KIT 212cc POUR DAYTONA ANIMA
212cc KIT FOR DAYTONA ANIMA

88011



KIT ARBRE À CAME RACING POUR DAYTONA ANIMA
RACING CAMSHAFT KIT FOR DAYTONA ANIMA

87583



CARTER D'ALLUMAGE
IGNITION COVER

- 01 YC110-2004-01-GY (CARTER D'ALLUMAGE/ IGNITION COVER)
- 02 YC110-2004-01-MG (CARTER D'ALLUMAGE/ IGNITION COVER)
- 03 YC110-2004-01-BK (CARTER D'ALLUMAGE/ IGNITION COVER)
- 04 11419/152FMH (JOINT CARTER ALLUMAGE/ IGNITION COVER GASKET)



CHAÎNE DE DISTRIBUTION RENFORCÉE D.I.D POUR DAYTONA ANIMA
D.I.D REINFORCED TIMING CHAIN FOR DAYTONA ANIMA

87577



BOUCHON VIDANGE AIMANTÉ ROUGE/ BLEU/ NOIR/ ORANGE/ VERT/ VIOLET
MAGNETIC DRAIN PLUG RED/ BLACK/ BLUE/ ORANGE/ GREEN/ PURPLE

01 BVE1-COLOR

HUBLOT À HUILE
OIL LEVEL SIGHT GLASS

02 D00C027



TONNELLE SUNDAY 3 X 3M / 10 X 10 ft
SUNDAY PIT TENT 3 X 3M / 10 X 10 ft

TONNELLESUNDAY



ORIFLAMME 3 MÈTRES / 10 ft
SUNDAY FLAG 3 METER / 10 ft

SUNDAYFLAG



BANNER 2M X 0,50M / 6,5ft x 1,6ft

BANNERSUNDAY



PLANCHE DE STICKERS
STICKER SHEET

SUNDAYA4-01





SUNDAY MOTORCYCLES FLAT TRACK & MOTOCROSS 26

**YANNICK COQUARD & DIMITRI BERA
CO-FOUNDERS**

NORMANDIE, FRANKREICH

SEIT 2004 ENTWICKELN UND PRODUZIEREN WIR MOTORRÄDER FÜR DEN ALLGEMEINEN FAHRVERANSTALTER, DIE FREIZEIT UND DEN RENNWETTBEWERB.

JEDES JAHR BIETET WIR EINE KOMPLETTE NEUE PRODUKTIONSPLATTE AN ZUVERLÄSSIGEN, EINKAUFBAREN UND LEISTUNGSSTARKEN MOTORRÄDERN AN, DAMIT SIE DIE FREUDE AM MOTORRADFAHREN IN ABSOLUT SICHERHEIT GENIEßEN KÖNNEN.

100 % DER SUNDAY-PRODUKTE WERDEN IM HERSTELLER ENTWICKELT, ENTWICKELT UND KONSTRUKTION GEFERTIGT.

DANK UNSERER RENNSPORTENTWICKLUNG PROFITIEREN SUNDAY-PRODUKTE VON DEN NEUESTEN TECHNOLOGIEN, DIE DER ALLGEMEINEN FAHRER UND DER GANZEN FAMILIE ZUR VERFÜGUNG STEHEN.

GUTE FAHRT!

NORMANDY, FRANCE

WE HAVE BEEN DEVELOPING AND MANUFACTURING MOTORCYCLES FOR THE PAST 16 YEARS. BIKES MATCHED TO SKILL LEVELS FROM BEGINNERS TO ADVANCED. WHETHER YOU'RE PLAY RIDING OR COMPETING, THE SUNDAY IS PERFECT FOR YOU ! WE FOCUS ON PRODUCING AFFORDABLE AND HIGH-PERFORMANCE MOTORCYCLES THAT ALLOW YOU TO EXPERIENCE ALL THE FUN MINI BIKES HAVE TO OFFER !

ALL SUNDAY PRODUCTS ARE DEVISED, DESIGNED AND DEVELOPED IN-HOUSE. DEVELOPMENT UNDER COMPETITION CONDITIONS ENSURES THAT SUNDAY MOTORS IS ABLE TO TAKE ADVANTAGE OF THE LATEST TECHNOLOGICAL ADVANCES, WHICH HELPS US CREATE THE ULTIMATE FLAT TRACK MACHINE !

HAVE A GOOD RIDE

SUNDAY[®]